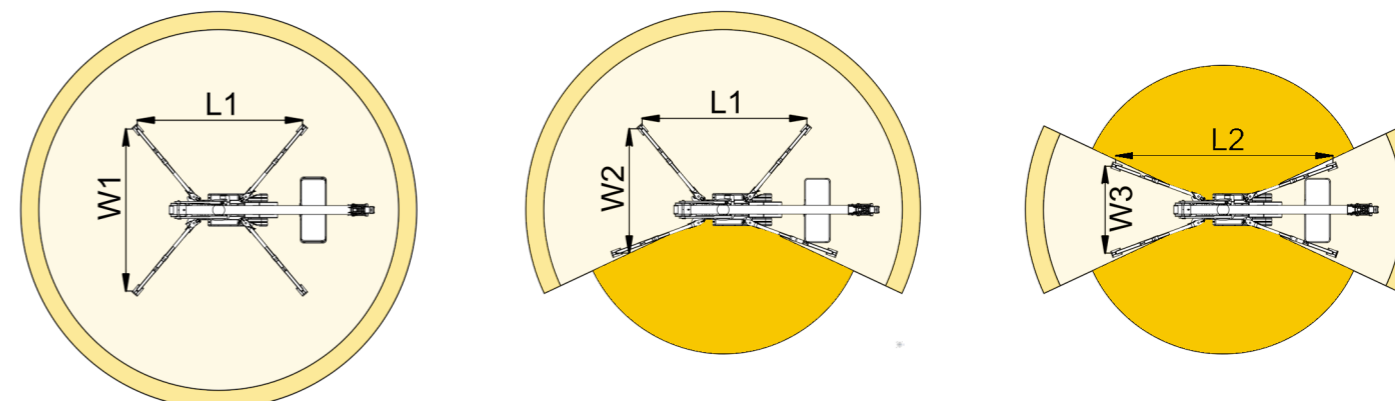
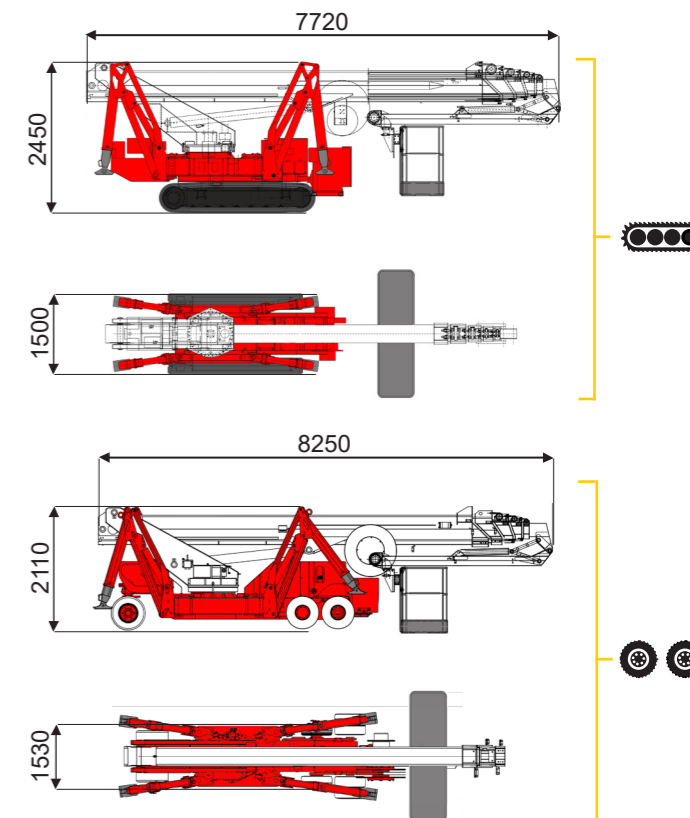
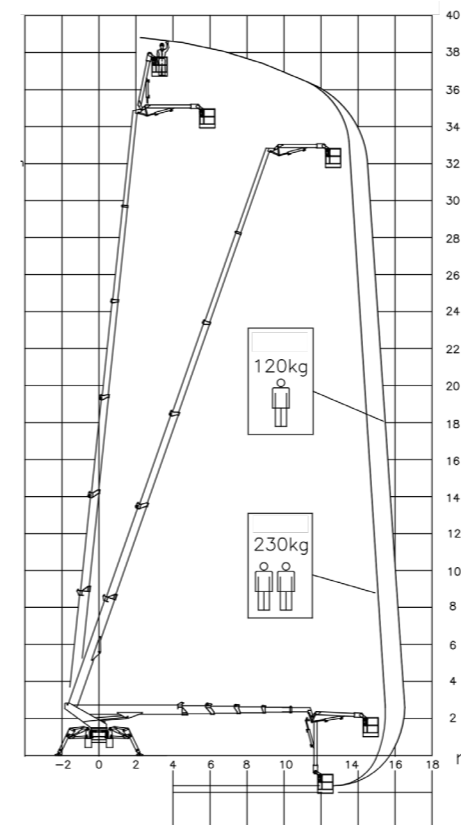




39 m ↑
16,5 m →
230 Kg 👤 👤



| | | | | | | | |
|--------|--------|------------|---------|---------|---------|---------|---------|
| 15,5 m | 16,5 m | 10 m | L1 | L2 | W1 | W2 | W3 |
| 230 kg | 120 kg | 120/230 kg | 4960 mm | 6200 mm | 4700 mm | 3810 mm | 2920 mm |

BI-ENERGY
Diesel+AC



TSJ 39/C

| | | | | | | | | | | | | | | | |
|---|------|--------|--------|------|------|-----------|---------|------------|-----|-----|----------|---------|-------|------------------------|-----------------------|
| 🚧 | 39 m | 16,5 m | 230 kg | 170° | 660° | 240x70 cm | 90°+80° | 2,92-4,7 m | 18% | 40% | 2,2 km/h | 7960 kg | 47 kN | 3,41 kN/m ² | 4,3 kN/m ² |
|---|------|--------|--------|------|------|-----------|---------|------------|-----|-----|----------|---------|-------|------------------------|-----------------------|

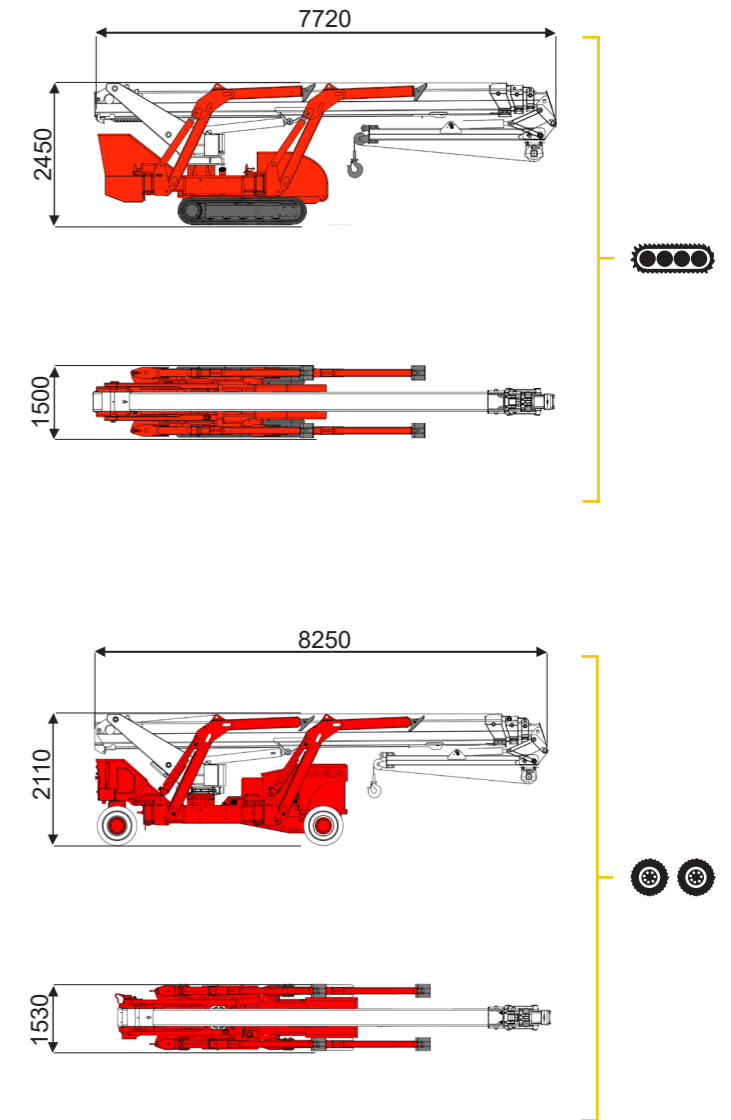
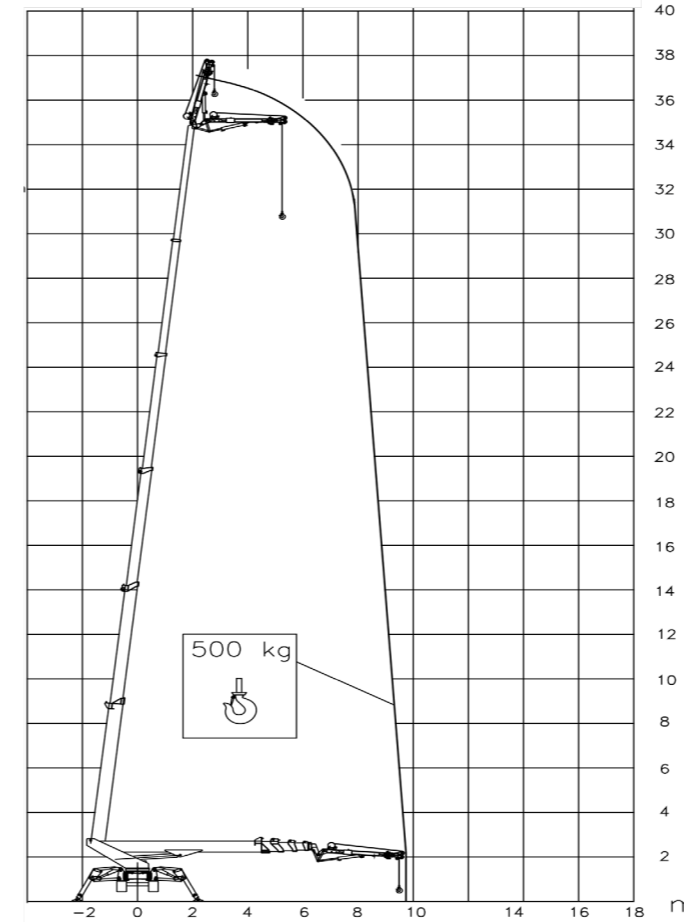
TSJ 39/R

| | | | | | | | | | | | | | | | |
|---|------|--------|--------|------|------|-----------|---------|------------|-----|-----|----------|---------|-------|------------------------|------------------------|
| 🚧 | 39 m | 14,9 m | 230 kg | 170° | 660° | 240x70 cm | 90°+80° | 2,92-4,7 m | 31% | 12% | 1,4 km/h | 7600 kg | 47 kN | 3,26 kN/m ² | 3,84 kN/m ² |
|---|------|--------|--------|------|------|-----------|---------|------------|-----|-----|----------|---------|-------|------------------------|------------------------|

Available version:

- BI-ENERGY (DIESEL+AC)
- ECO (DC+AC)
- HYBRID (DIESEL+DC)

Characteristics and technical data are informative only and subjected to change without notice.



| BI-ENERGY Diesel+AC | | | | | | | | | | | | | |
|------------------------|--|------|-------|--------|------|------------|-----|-----|----------|---------|-------|------------------------|------------------------|
| TSJ 39/C | | 37 m | 9,7 m | 500 kg | 660° | 2,92-4,7 m | 18% | 40% | 2,2 km/h | 7960 kg | 47 kN | 3,41 kN/m ² | 4,3 kN/m ² |
| TSJ 39/R | | 37 m | 9,7 m | 500 kg | 660° | 2,92-4,7 m | 31% | 12% | 1,4 km/h | 7600 kg | 47 kN | 3,26 kN/m ² | 3,84 kN/m ² |

Available version:

- BI-ENERGY (DIESEL+AC)
- ECO (DC+AC)
- HYBRID (DIESEL+DC)

Characteristics and technical data are informative only and subjected to change without notice.